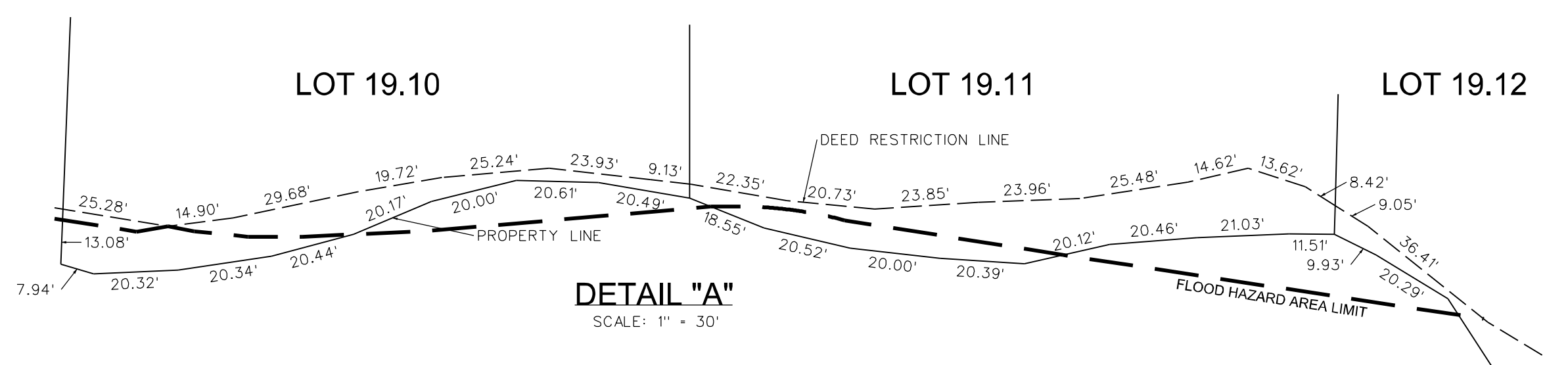
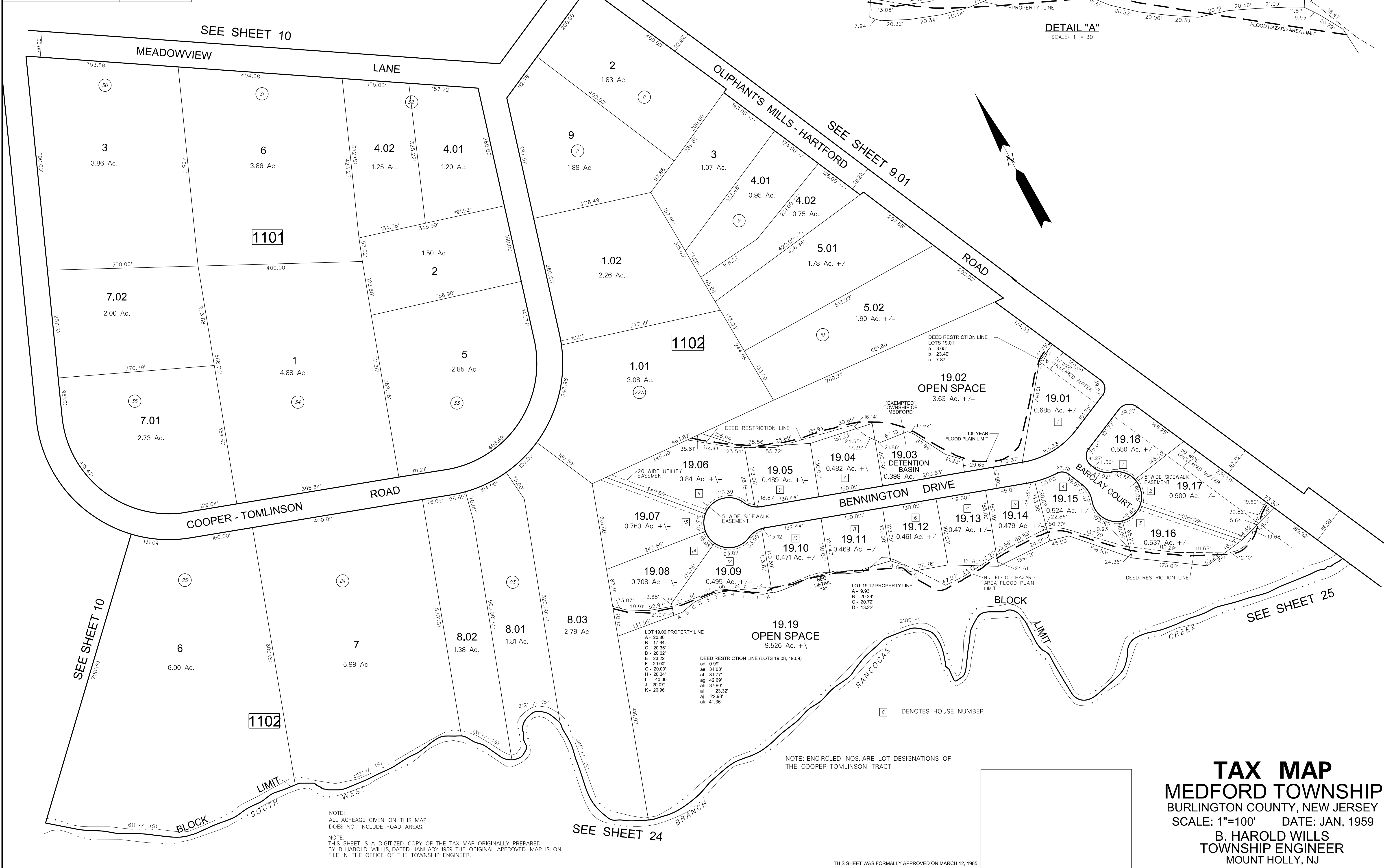


DATE	NAME OF P.L.S.	LICENSE # OF P.L.S.
10/09/08	PATRICK S. VITARELLI	N.J.P.L.S. #27895



NOTE: ALL ACREAGE GIVEN ON THIS MAP DOES NOT INCLUDE ROAD AREAS.

NOTE: THIS SHEET IS A DIGITIZED COPY OF THE TAX MAP, ORIGINALLY PREPARED BY R. HAROLD WILLS, DATED JANUARY, 1959. THE ORIGINAL APPROVED MAP IS ON FILE IN THE OFFICE OF THE TOWNSHIP ENGINEER.

NOTE: ENCIRCLED NOS. ARE LOT DESIGNATIONS OF THE COOPER-TOMLINSON TRACT

Ⓢ - DENOTES HOUSE NUMBER

THIS SHEET WAS FORMALLY APPROVED ON MARCH 12, 1995 BY IVAN HAFTHOWITZ AND ASSIGNED SERIAL NUMBER 641

TAX MAP
MEDFORD TOWNSHIP
 BURLINGTON COUNTY, NEW JERSEY
 SCALE: 1"=100' DATE: JAN, 1959
 B. HAROLD WILLS
 TOWNSHIP ENGINEER
 MOUNT HOLLY, NJ